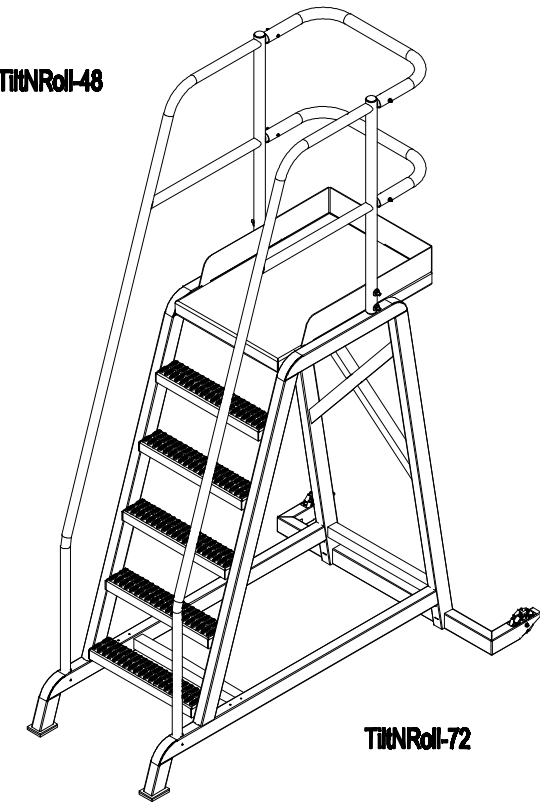
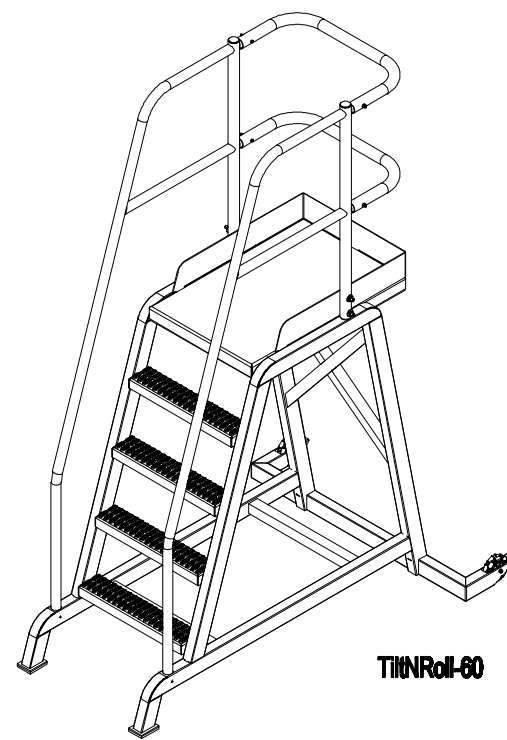
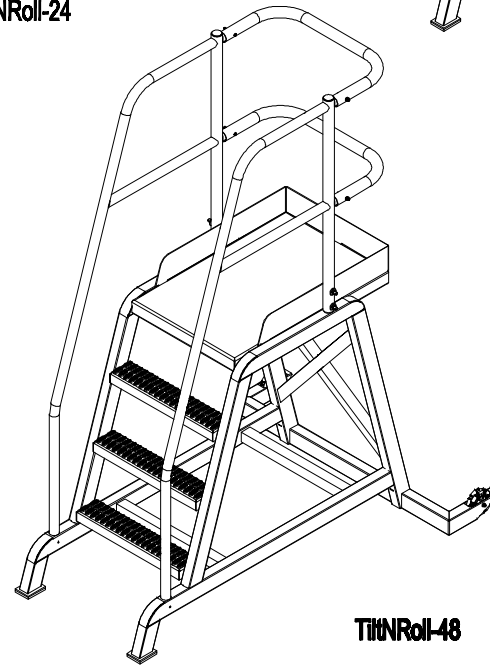
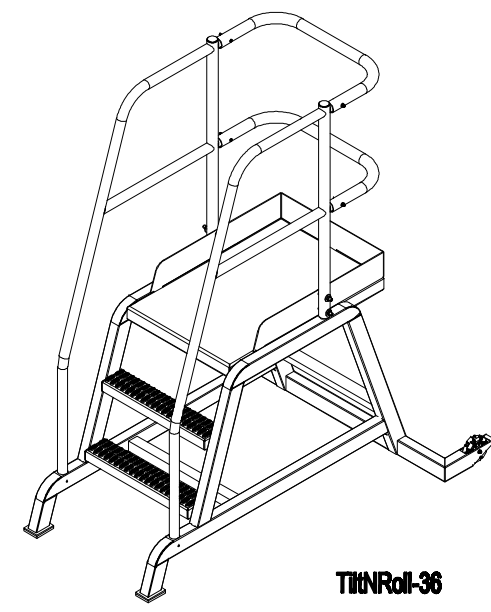
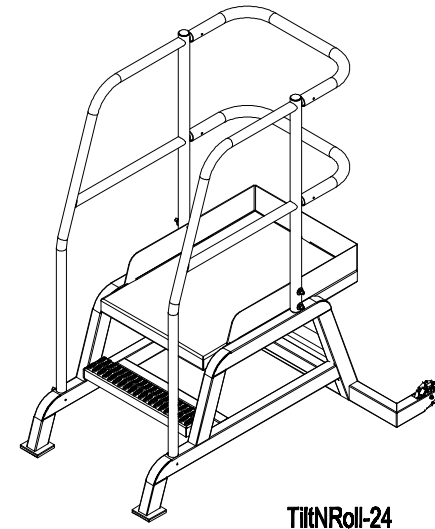
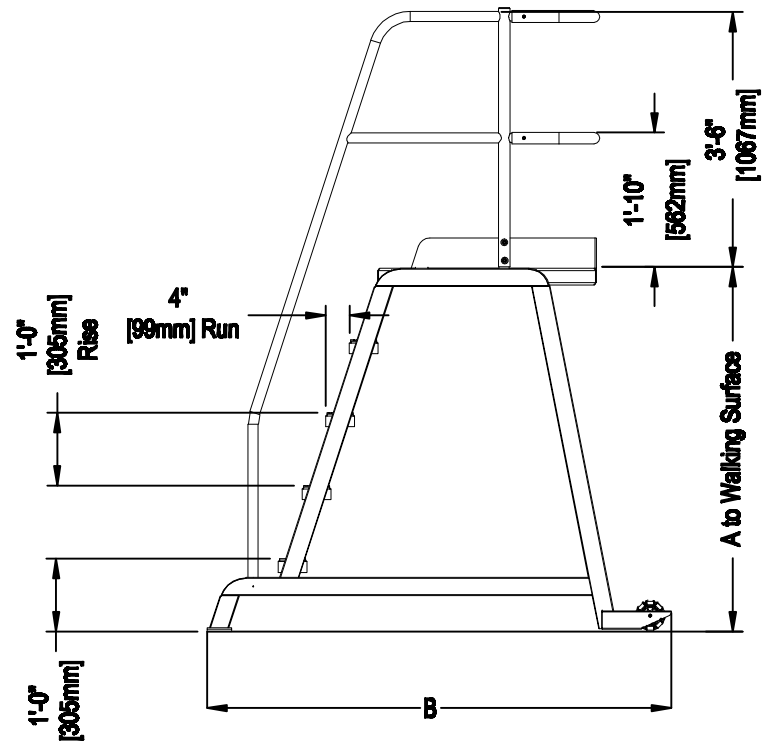
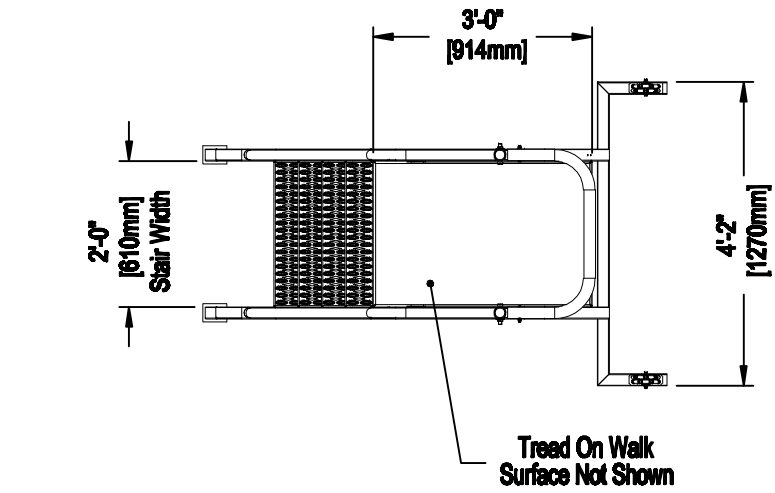


	A	B
TiltNRoll-24	24" [610mm]	66 $\frac{1}{16}$ " [1678mm]
TiltNRoll-36	36" [914mm]	70" [1778mm]
TiltNRoll-48	48" [1219mm]	72 $\frac{15}{16}$ " [1853mm]
TiltNRoll-60	60" [1524mm]	76 $\frac{9}{8}$ " [1940mm]
TiltNRoll-72	72" [1829mm]	80 $\frac{1}{16}$ " [2034mm]



RollAStep MOBILE ROLLING WORK PLATFORMS TR Series		ALL INFORMATION CONTAINED HEREIN IS CONFIDENTIAL AND NOT BE DISCLOSED IN ANY FORM WITHOUT THE WRITTEN CONSENT OF ROLLASTEP.
RollAStep MOBILE ROLLING WORK PLATFORMS TR Series	TiltNRoll-Spec Sheet	DATE: 8/17/11 DRAWN BY: TK CHECKED BY: TK APPROVED BY: TK
JOB # CUSTOMER AREA #	DATE: 8/17/11 DATE: 8/17/11 DATE: 8/17/11	REVISIONS: 1-22 SHEET: 1
ROLLASTEP WELDING STANDARDS ALL WELDING JOINTS SHALL BE FULL PENETRATION BUTT JOINTS UNLESS OTHERWISE NOTED.		12 14-13 1
QUANTITY PER FOOTING: 1 DATE: 8/17/11	12 14-13 1	12 14-13 1