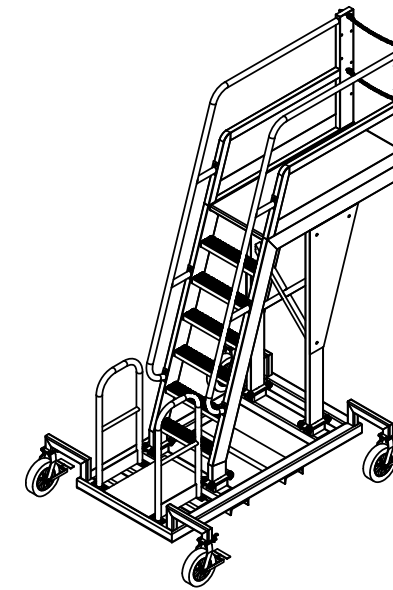
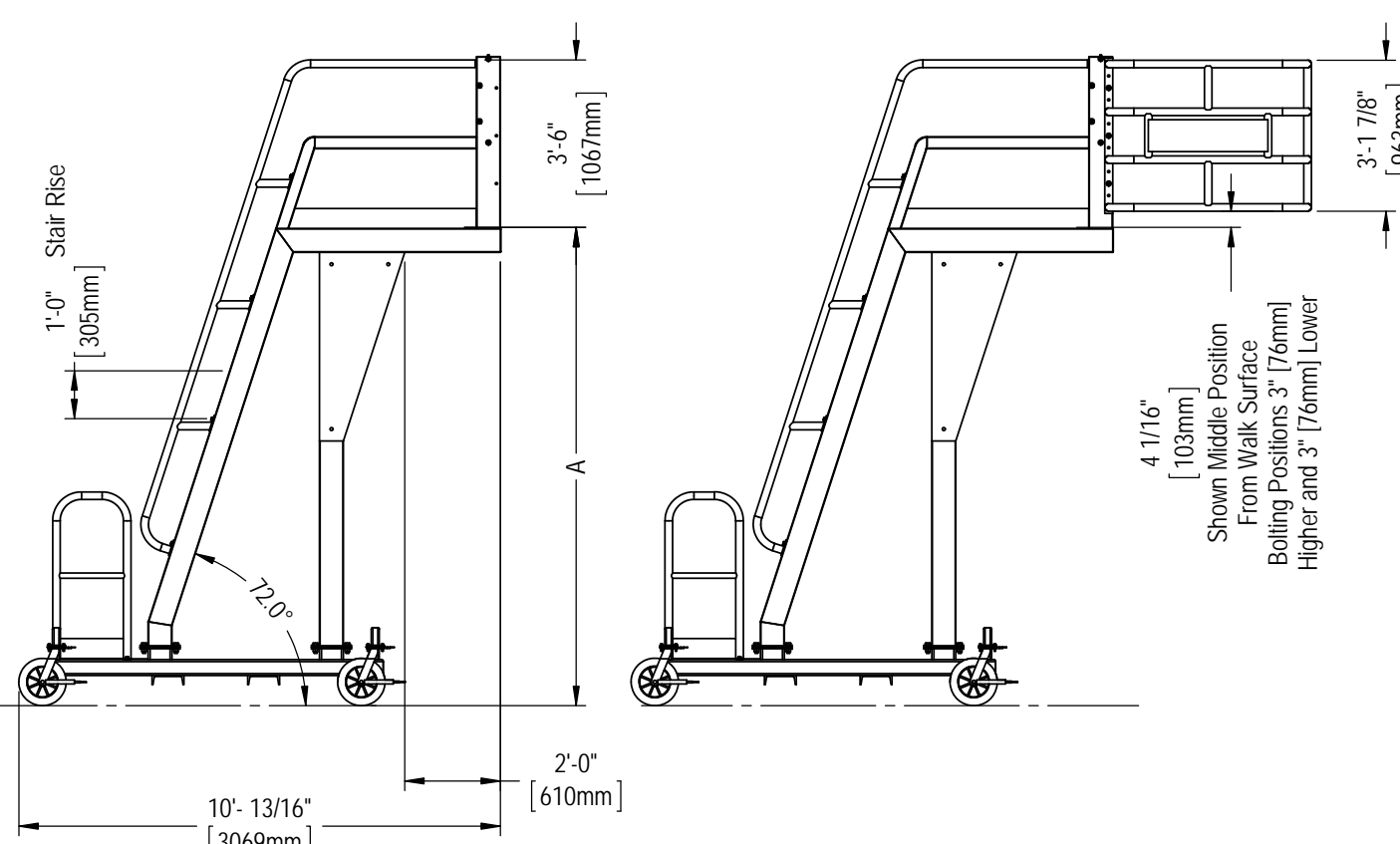
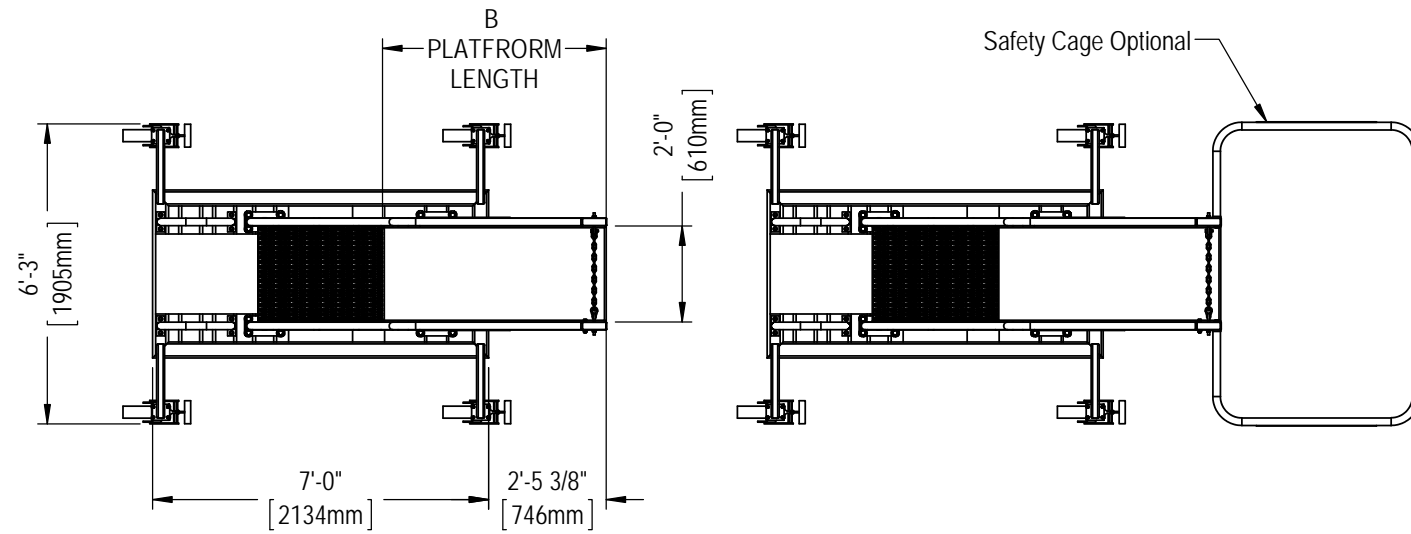
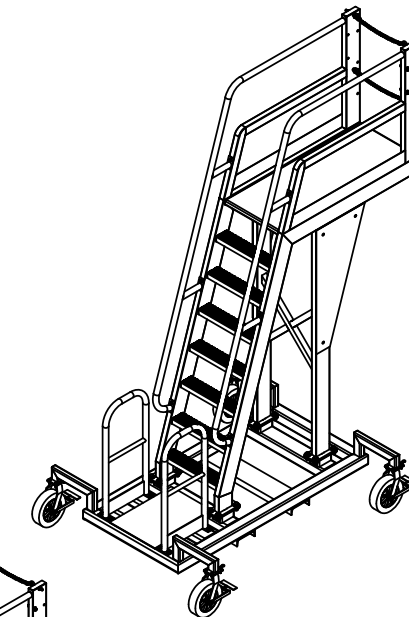


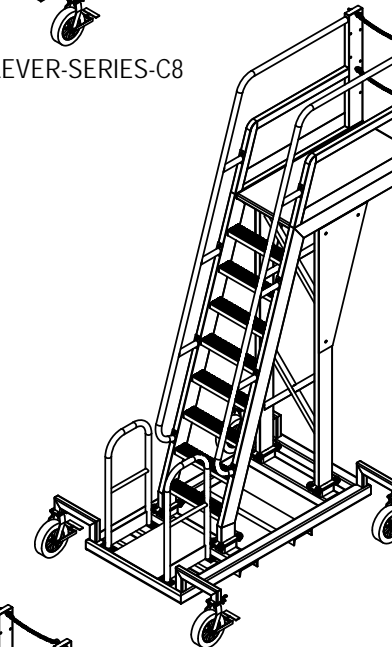
SERIES NAME	A	B
RS-CANTILEVER-SERIES-C8	8 FT (2438 mm)	5'-3 11/16" (1618 mm)
RS-CANTILEVER-SERIES-C9	9 FT (2743 mm)	4'-11 13/16" (1519 mm)
RS-CANTILEVER-SERIES-C10	10 FT (3048 mm)	4'-7 7/8" (1420 mm)
RS-CANTILEVER-SERIES-C11	11 FT (3353 mm)	4'-4" (1321 mm)
RS-CANTILEVER-SERIES-C12	12 FT (3658 mm)	4'-1/8" (1222 mm)



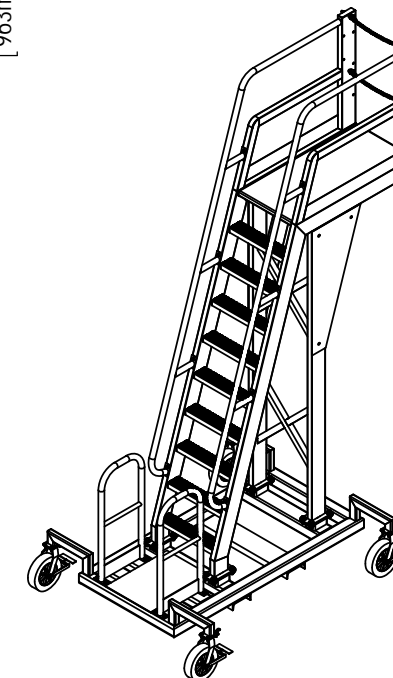
RS-CANTILEVER-SERIES-C8



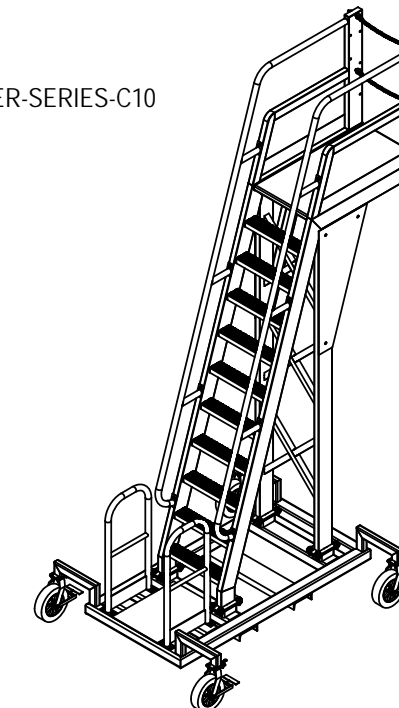
RS-CANTILEVER-SERIES-C9



RS-CANTILEVER-SERIES-C10



RS-CANTILEVER-SERIES-C11



RS-CANTILEVER-SERIES-C12

ROLLASTEP WELDING STANDARDS		SEAL WELD UNLESS OTHERWISE NOTED		USE FILETS LISTED BELOW UNLESS OTHERWISE NOTED	
Material Thickness of Thick Part (mm)	Material Thickness of Thin Part (mm)	Minimum Size (inch)	Minimum Size (mm)	Minimum Size (inch)	Minimum Size (mm)
1/4" (6)	1/4" (6)	1/4" (6)	1/4" (6)	3/16" (5)	3/16" (5)
1/2" (13)	1/2" (13)	1/2" (13)	1/2" (13)	1/4" (6)	1/4" (6)
3/4" (19)	3/4" (19)	3/4" (19)	3/4" (19)	1/2" (13)	1/2" (13)

BATCH	DATE	REV	DESCRIPTION
2	3/8/12	2	UPDATED WELD SPECS FOR ENGLISH/METRIC DIMENSIONS
1	2/23/12	1	SPEC SHEET CREATED (ENGLISH/METRIC)

PART NAME	DATE	DATE	DATE	DATE	DATE
RS-CANTILEVER SERIES SPEC SHEET	1/3/12	1/3/12	1/3/12	1/3/12	1/3/12
DESIGNED BY: TK	DATE: 1/3/12	DATE: 1/3/12	DATE: 1/3/12	DATE: 1/3/12	DATE: 1/3/12
DRAWN BY: TK	DATE: 1/3/12	DATE: 1/3/12	DATE: 1/3/12	DATE: 1/3/12	DATE: 1/3/12
CHECKED BY: TK	DATE: 1/3/12	DATE: 1/3/12	DATE: 1/3/12	DATE: 1/3/12	DATE: 1/3/12
PROGRAMMED BY:	DATE:	DATE:	DATE:	DATE:	DATE:
PROGRAMMED CHECKED BY:	DATE:	DATE:	DATE:	DATE:	DATE:

ROLLASTEP		CUSTOMER	ABAS #
RS-CANTILEVER SERIES SPEC SHEET		RS-CANTILEVER SERIES SPEC SHEET	
JOB #		JOB #	

ALL INFORMATION CONTAINED HEREIN IS CONFIDENTIAL & PROPRIETARY AND MAY NOT BE DISCLOSED IN ANY FORM WITHOUT THE WRITTEN CONSENT OF ROLLASTEP
SHEET SCALE: 1:48
SHEET: 1